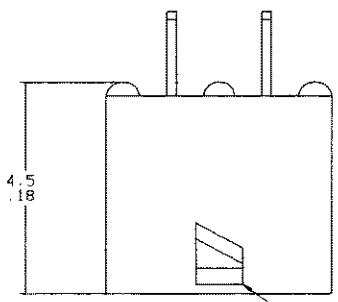
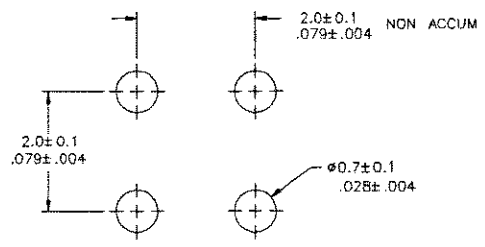
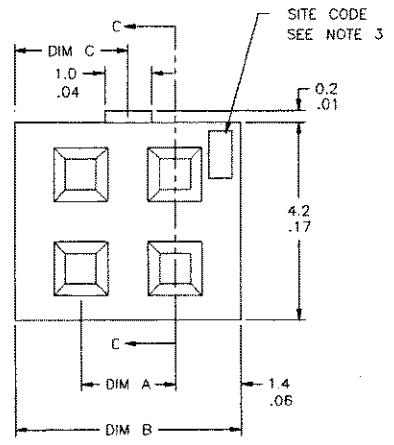


Tous droits strictement reserves. Reproduction ou communication a des tiers interdite sous quelque forme que ce soit sans autorisation ecrite du proprietaire. Propriete de c FCI. Droits de reproduction FCI.

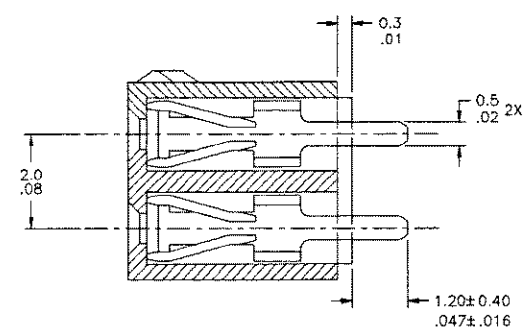
All rights strictly reserved. Reproduction or issue to third parties in any form whatever is not permitted without written authority from the proprietor. Property of FCI. Copyright FCI.



LATCH
SEE NOTE 6



RECOMMENDED MOUNTING HOLE LAYOUT



SECTION C-C

CONFIDENTIAL

mat'l. code				tolerances unless otherwise specified		CUSTOMER COPY	FCI www.fciconnect.com	
ltr	ecn no	dr	date	linear	X.X±0.3/.XX±.01		projection	title
H	S40294	LSS	1/19/95		X.XX±0.13/.XXX±.005	 MM/INCH	MINITEK VCC HSG. DBL. ROW W/LATCHING	
J	V50889	MRC	7/6/95	angles	X.XXX±0.051/.XXX±.0020			product family
K	S05-0090	KBM	3/21/05		ANGLES ±2°	scale	MINITEK	—
				dr	S.OLSON	9/3/91	size	dwg no
				engr	S.OLSON	9/3/91	90310	sheet
				chr	KB MAH	3/21/05		1 of 3
				appd	JOEY NG	3/21/05		
sheet index	revision sheet	K	K	K				
		1	2	3				

cage code
22526

PDM: Rev:K

STATUS **Released**

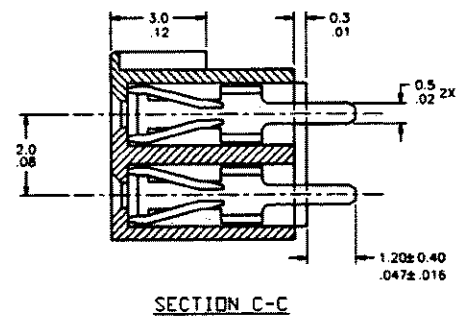
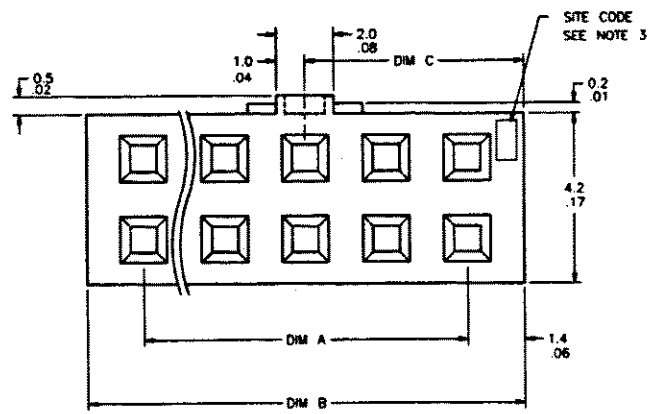
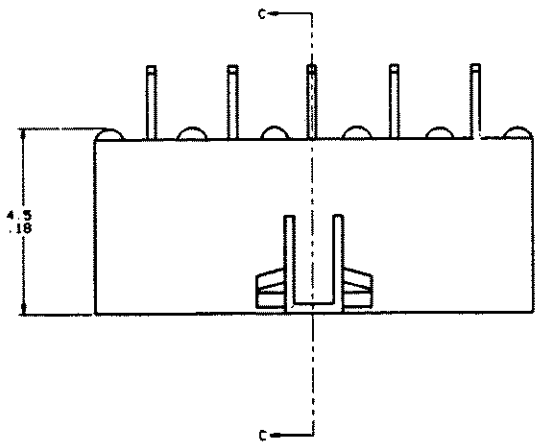
Printed Jul 20, 2005

ACAD

Tous droits strictement reserves. Reproduction ou communication a des tiers interdite sous quelque forme que ce soit sans autorisation ecrite du proprietaire. Propriete de c FCI. Droits de reproduction FCI.



All rights strictly reserved. Reproduction or issue to third parties in any form whatever is not permitted without written authority from the proprietor. Property of FCI. Copyright FCI.



CONFIDENTIAL



www.fciconnect.com

mat'l. code				tolerances unless otherwise specified		CUSTOMER COPY	title	
ltr	ecn no	dr	date	linear	X.X±0.3/.XX±.01		projection	MINITEK VCC HSG. DBL. ROW W/LATCHING
K				angles	X.XX±0.13/.XXX±.005	 MM/INCH	product family	code
				dr	X.XXX±0.051/.XXX±.0020		MINITEK	—
				engr	ANGLES ±2°	scale	size dwg no	sheet
				chr	S.OLSON 9/3/91	10:1	A 90310	2 of 3
				appd	S.OLSON 9/3/91			
					KB MAH 3/21/05			
					JOEY NG 3/21/05			
sheet index	revision sheet							

cage code 22526

PDM: Rev:K

STATUS Released

Printed Jul 20, 2005

ACAD

Tous droits strictement réservés. Reproduction ou communication a des tiers interdite sous quelque forme que ce soit sans autorisation écrite du propriétaire. Propriété de c FCI. Droits de reproduction FCI.

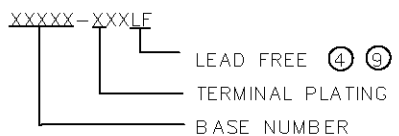
All rights strictly reserved. Reproduction or issue to third parties in any form whatever is not permitted without written authority from the proprietor. Property of FCI. Copyright FCI.

PRODUCT NUMBER	POSITIONS	DIM A	DIM B	DIM C	LATCHING FEATURES
90310-X04	2 X 2	2.0/.08	4.8/.19	2.4/.09	1
90310-X06	2 X 3	4.0/.16	6.8/.27	3.4/.13	2
90310-X08	2 X 4	6.0/.24	8.8/.35	4.4/.17	2
90310-X10	2 X 5	8.0/.32	10.8/.43	5.4/.21	2
90310-X12	2 X 6	10.0/.39	12.8/.50	6.4/.25	2
90310-X14	2 X 7	12.0/.47	14.8/.58	7.4/.29	2
90310-X16	2 X 8	14.0/.55	16.8/.66	8.4/.33	2
90310-X18	2 X 9	16.0/.63	18.8/.74	9.4/.37	2
90310-X20	2 X 10	18.0/.71	20.8/.82	10.4/.41	2
90310-X22	2 X 11	20.0/.79	22.8/.90	11.4/.45	2
90310-X24	2 X 12	22.0/.87	24.8/.98	12.4/.49	2
90310-X26	2 X 13	24.0/.95	26.8/1.06	13.4/.53	2
90310-X28	2 X 14	26.0/1.02	28.8/1.13	14.4/.57	2
90310-X30	2 X 15	28.0/1.10	30.8/1.21	15.4/.61	2
90310-X32	2 X 16	30.0/1.18	32.8/1.29	16.4/.65	2
90310-X34	2 X 17	32.0/1.26	34.8/1.37	17.4/.69	2

PLATING	DESCRIPTION NOTE 4
0	0.2um/8u" Au
1	0.76um/30u" Au
2	UNASSIGNED
3	0.38um/15u" Au

- ④ PLATING AT CONTACT:
Au OVER 1.27um/500 Ni
- PLATING AT SOLDER TAIL:
a) SOLDER TAIL OF P/N: 90310-XXX IS TIN/LEAD PLATED
b) SOLDER TAIL OF P/N: 90310-XXXLF IS 100% MATTE TIN PLATED
- 5. FOR USE WITH MINITEK LATCHING HEADERS WHEN MATING AND UNMATING THE FORCES WILL BE APPROX 1 Kg/2.2 lbs. GREATER THAN THE FORCES DETAILED IN 110-036, PAR 3.5.3.5.
- ⑥ SHEET 1 SHOWS THE SINGULAR LATCHING FEATURE CONFINED TO THE 2X2.
- 7. THE HOUSING WILL WITHSTAND EXPOSURE TO 250° C PEAK TEMPERATURE FOR 10 SECONDS IN A CONVECTION, INFRA-RED OR VAPOR PHASE REFLOW OVEN.
- 8. THE HOUSING WILL WITHSTAND EXPOSURE TO 260° C PEAK TEMPERATURE FOR 10 SECONDS IN A WAVE SOLDER APPLICATION WITH A 1.57 MM MINIMUM THICK CIRCUIT BOARD.
- ⑨ THIS PRODUCT MEETS EUROPEAN UNION DIRECTIVES AND OTHER COUNTRY REGULATIONS AS DESCRIBED IN GS-22-008.

PART NUMBER INFORMATION



- NOTES:
- ① HOUSING MATERIAL: PCT UL94V-0 COLOR BEIGE.
 - 2. TERMINAL MATERIAL: PHOS BRONZE
 - ③ SITE CODE INDICATES POS 1.

CONFIDENTIAL

mat'l. code				tolerances unless otherwise specified		CUSTOMER COPY	www.fciconnect.com
ltr	ecn no	dr	date	linear	X.X±0.3/.XX±.01		
K				angles	X.XX±0.13/.XXX±.005		product family MINITEK code size dwg no 90310
				dr	X.XXX±0.051/.XXX±.0020		
				engr	ANGLES ±2°		
				chr	S.OLSON 9/3/91		
				appd	S.OLSON 9/3/91		
					chr KB MAH 3/21/05		
					appd JOEY NG 3/21/05		
sheet index	revision sheet						

cage code 22526
STATUS Released